



ORIGINAL

No. 101633

भारत सरकार  
GOVERNMENT OF INDIA  
पेटेंट कार्यालय  
THE PATENT OFFICE

CERTIFICATE OF REGISTRATION OF DESIGN

Design No. 336133-001  
Date 10/12/2020 21:53:12  
Reciprocity Date\*  
Country

Certified that the design of which a copy is annexed hereto has been registered as of the number and date given above in class 24-01 in respect of the application of such design to TOUCH FREE UV-C BASED SANITIZATION SYSTEM in the name of 1.JSS ACADEMY OF HIGHER EDUCATION & RESEARCH, JSS MEDICAL INSTITUTIONS CAMPUS, SRI SHIVARATHREESHWARA NAGARA, MYSURU - 570 015 2. IDEAS UNLIMITED, MYSURU, 111/V, EMERALD ENCLAVE, BEHIND INFOSYS, OPP SRI RAMA MANDIRA, HEBBAL INDUSTRIAL AREA, MYSURU - 570 018

in pursuance of and subject to the provisions of the Designs Act, 2000 and the Designs Rules, 2001.

Controller General of Patents, Designs and Trade Marks

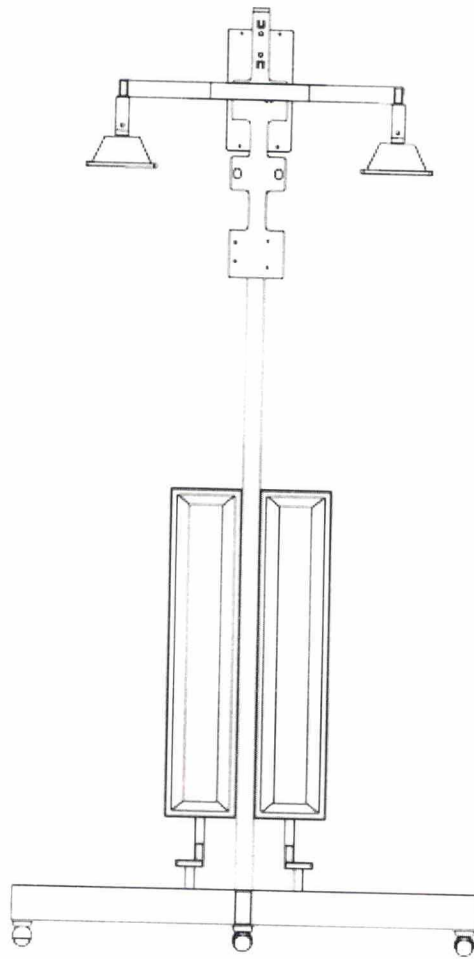
\*The reciprocity date (if any) which has been allowed and the name of the country.

Copyright in the design will subsist for ten years from the date of Registration, and may under the terms of the Act and Rules, be extended for a further period of five years.

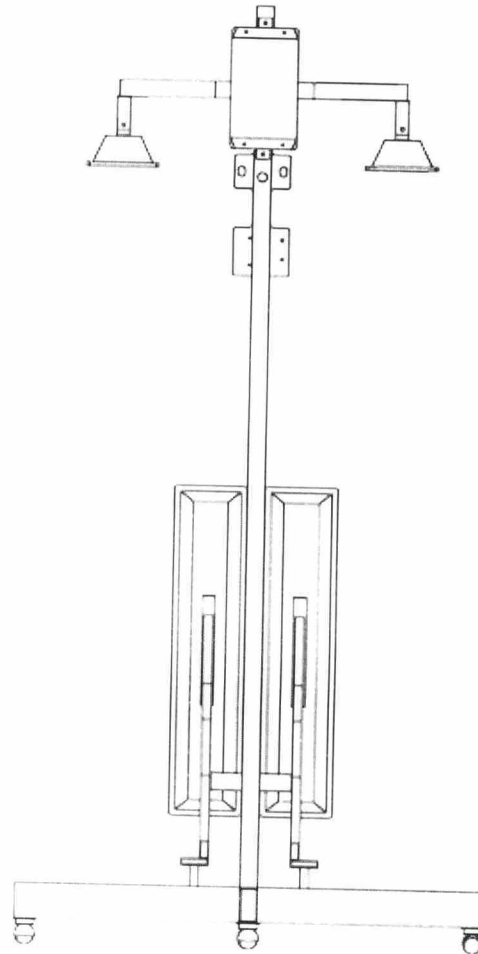
This Certificate is not for use in legal proceedings or for obtaining registration abroad

M MAJUMDAR,  
S. MAJUMDAR & CO., 5, HARISH MUKHERJEE  
ROAD, KOLKATA - 700 025.

Date of Issue 31/08/2021 11:42:52



Front view



Back view

The novelty resides in the shape and configuration of the '**Touch Free UV-C based sanitization system**' as illustrated.

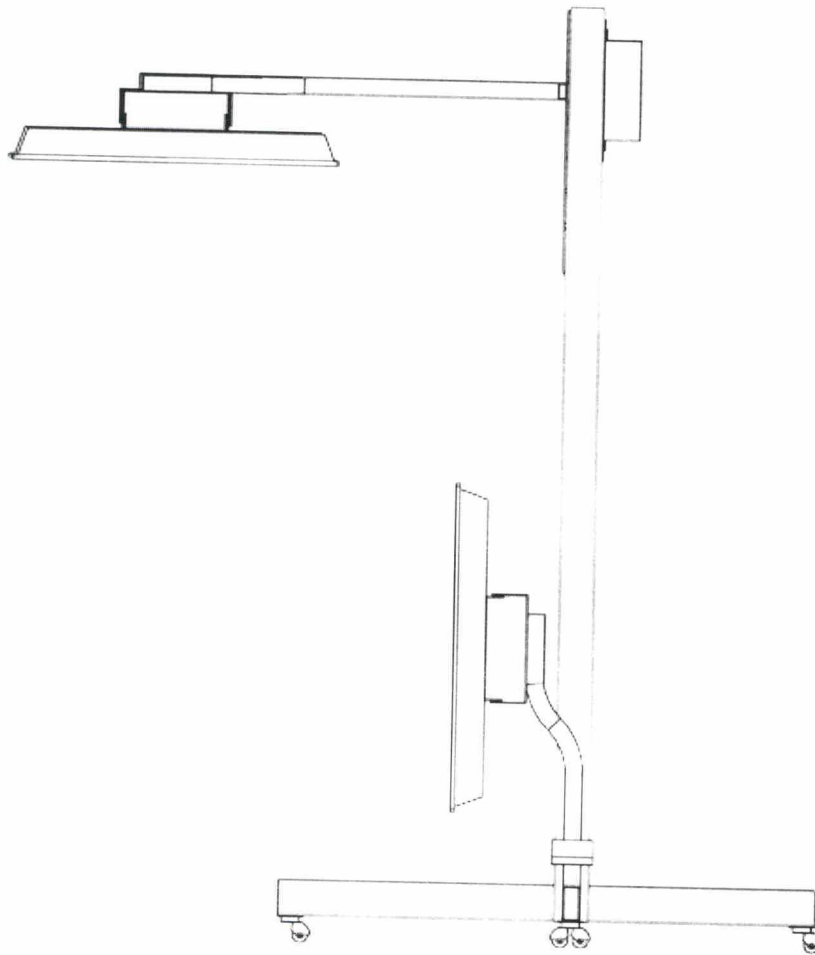
No claim is made by virtue of this registration to any right in respect of any mechanical or other action of the mechanism whatever or in respect of any mode or principle of construction of the article.

Dated this 10<sup>th</sup> day of December 2020.

M Majumdar  
Of S. Majumdar & Co.  
Applicant's Agent

336133 - 001

10 DEC 2020



Left side view

The novelty resides in the shape and configuration of the '**Touch Free UV-C based sanitization system**' as illustrated.

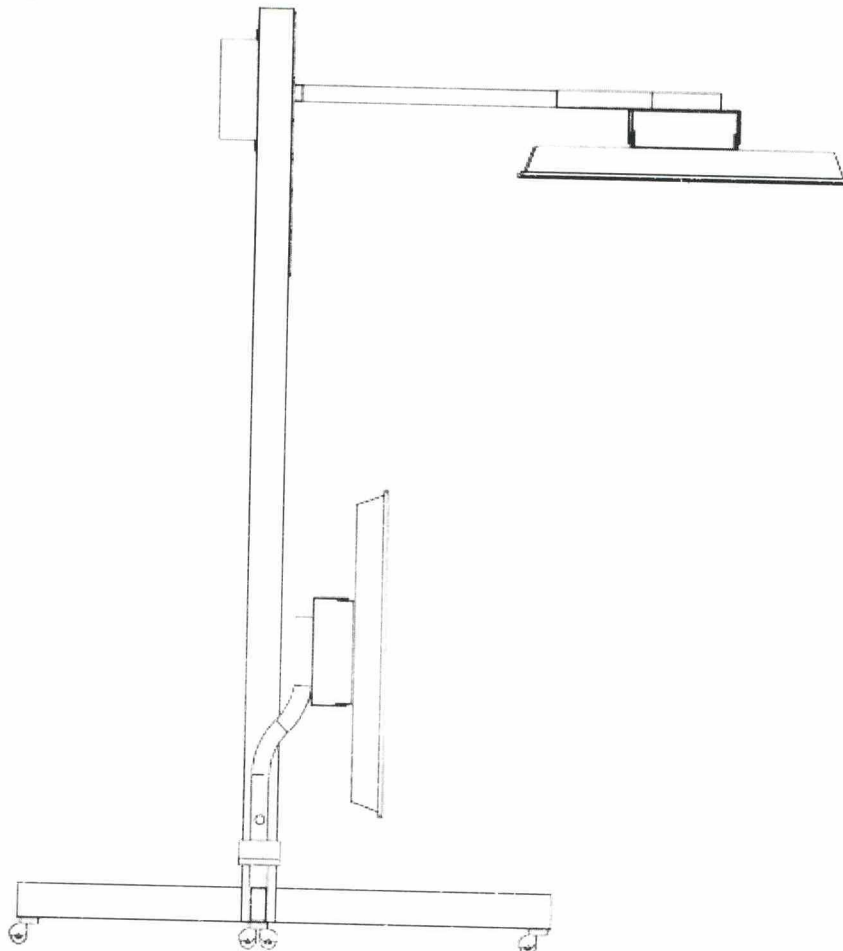
No claim is made by virtue of this registration to any right in respect of any mechanical or other action of the mechanism whatever or in respect of any mode or principle of construction of the article.

Dated this 10<sup>th</sup> day of December 2020.

M Majumdar  
Of S. Majumdar & Co.  
Applicant's Agent

336133 - 001

11 0 DEC 2020



Right side view

The novelty resides in the shape and configuration of the '**Touch Free UV-C based sanitization system**' as illustrated.

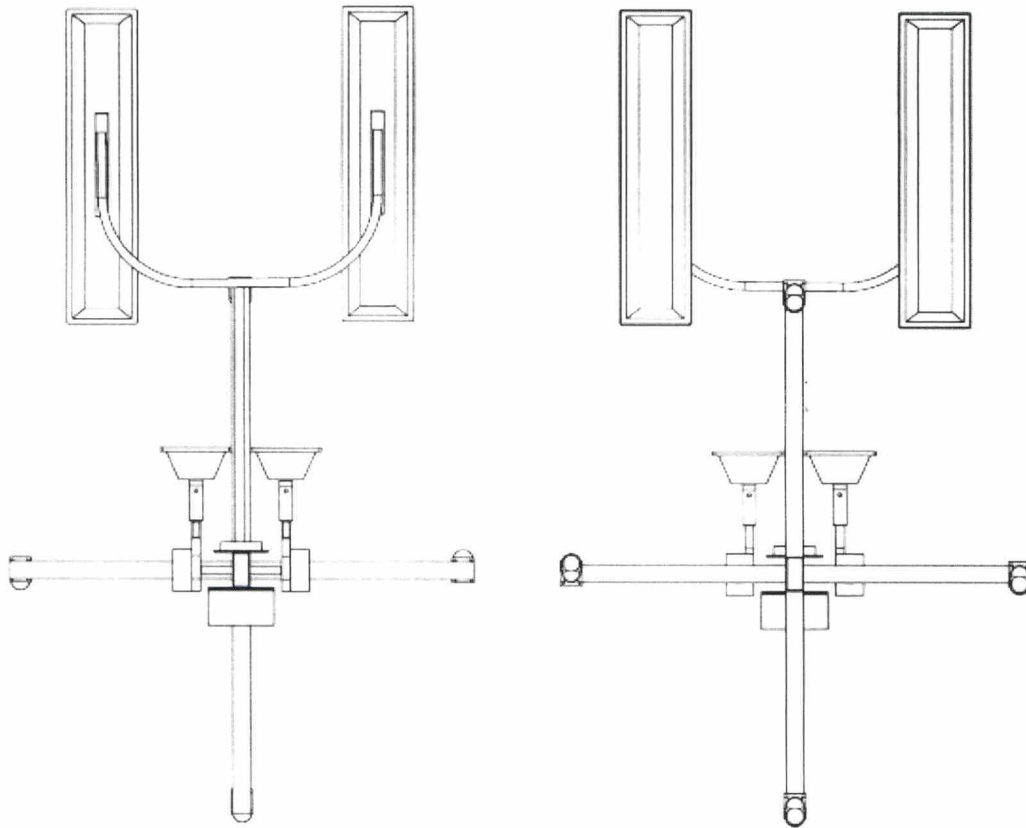
No claim is made by virtue of this registration to any right in respect of any mechanical or other action of the mechanism whatever or in respect of any mode or principle of construction of the article.

Dated this 10<sup>th</sup> day of December 2020.

  
M Majumdar  
Of S. Majumdar & Co.  
Applicant's Agent

336133 - 001

10 DEC 2020



Top view

Bottom view

The novelty resides in the shape and configuration of the '**Touch Free UV-C based sanitization system**' as illustrated.

No claim is made by virtue of this registration to any right in respect of any mechanical or other action of the mechanism whatever or in respect of any mode or principle of construction of the article.

Dated this 10<sup>th</sup> day of December 2020.

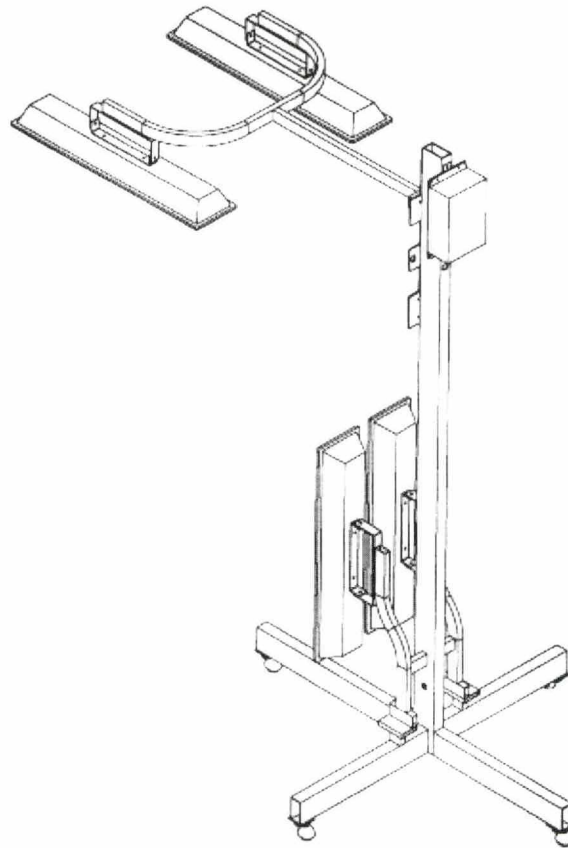
  
M Majumdar  
Of S. Majumdar & Co.  
Applicant's Agent

336133 - 001

10 DEC 2020

Name of the Applicant:  
**JSS Academy of Higher Education &  
Research;and  
Ideas Unlimited, Mysuru**

No. of sheets: 05  
Sheet No.:05



Perspective view

The novelty resides in the shape and configuration of the '**Touch Free UV-C based sanitization system**' as illustrated.

No claim is made by virtue of this registration to any right in respect of any mechanical or other action of the mechanism whatever or in respect of any mode or principle of construction of the article.

Dated this 10<sup>th</sup> day of December 2020.

  
M Majumdar  
Of S. Majumdar & Co.  
Applicant's Agent

336133 - 001

10 DEC 2020